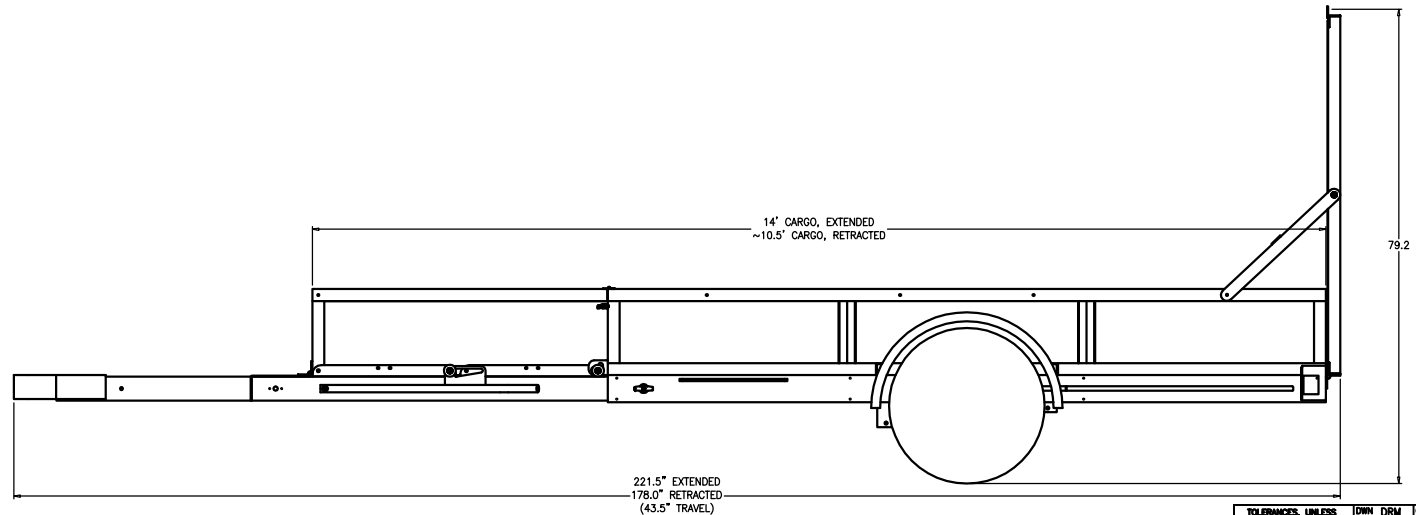
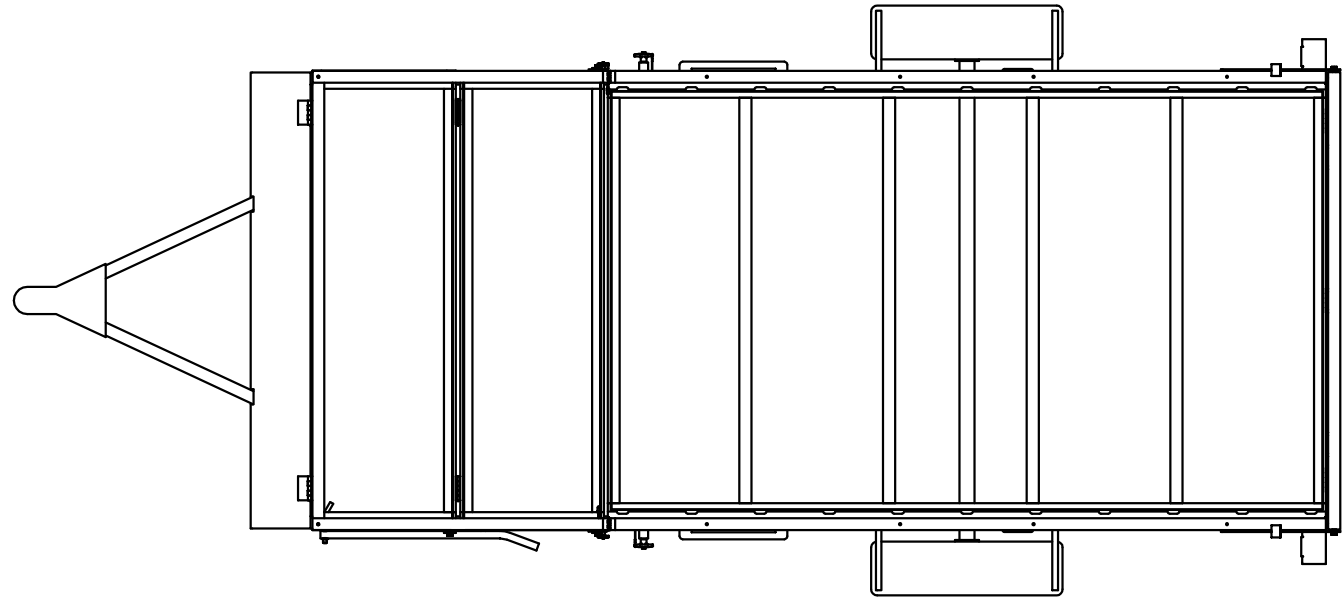


RECORD OF REVISIONS

REV	DESCRIPTION	DATE	SIGNED



MATERIAL:
FINISH:

DATE	1/12/16
SCALE	NONE
DO NOT SCALE DRAWING	USE DIMENSIONS ONLY
PROJECT	WILLIS EXTENDABLE TRAILERS
NEXT ASSEMBLY	
CUSTOMER	
ANGLES: 0°/30°/45°/60°/90°	

DRAWING CONTENTS	NEXT ASSEMBLY
OVERALL ASSEMBLY	
DRAWING NO.	WE-AMG-00001 S2
REV	3